

BLUBar



THE SUSTAINABLE
SOLUTION FOR
YOUR RESTAURANT
OR FOOD SERVICE
OPERATION

Enjoy unlimited ice cold still or sparkling water with reusable luxury bottles and our BluBar™ sparkling water cooler while saving money, time, space and the environment.

the hospitality
specialists



100% Italian design and quality!

Maximize your profits while eliminating the hassles, inconvenience and expense of bottled water!

- Chilled still and sparkling water options.
- Constructed from stainless steel with Plexiglass inserts.
- Icebank chilling technology.
- Easy to use "beer" tap dispensing systems.
- Certified advanced submicron filtration system removes over 99.99% of contaminants while leaving healthful natural minerals intact.
- No more storing bottles -- save valuable storage space.
- Compact design will accommodate any kitchen. Perfect for restaurants, hotels, resorts, country clubs and conference centers.

www.drinknaturesbest.com | 855.955.BEST

nature's best
Water The Way It Should Be™

SPECIFICATIONS

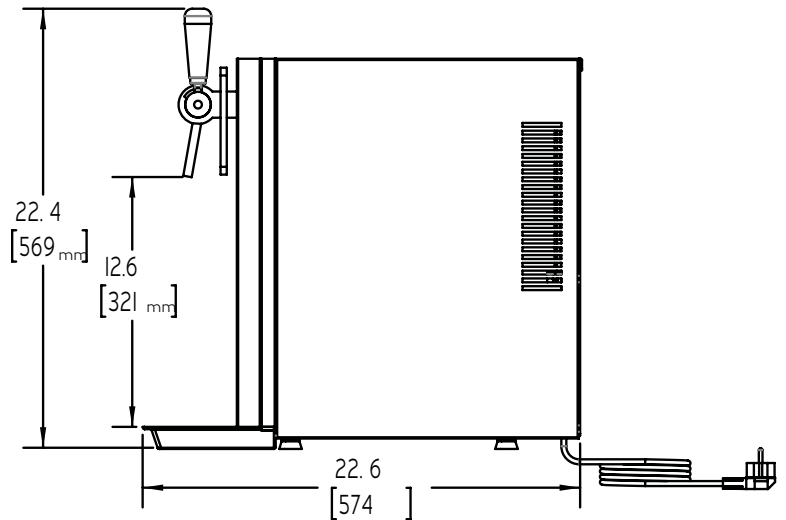
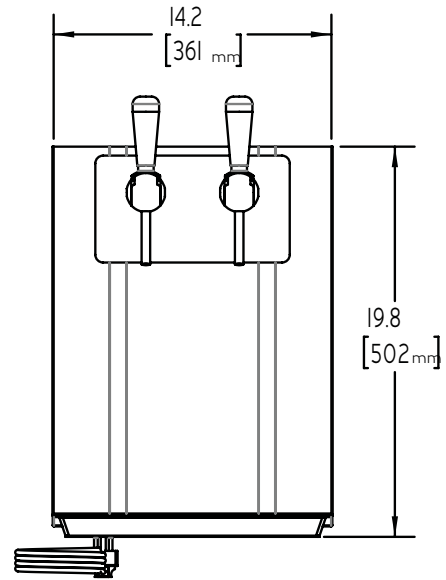
• Model Type	Countertop
• Materials	Stainless Steel Cabinet
• Cold Water Temperature Range	37°F - 50°F
• Cooling Capacity	20 Gallons/Hour (80 Liters/Hour)
• Cooling Technology	Dual Stainless Steel Coils
• Refrigerant Gas	R290
• Condensation Control	Forced Ventilation (Fan)
• Inlet Water Line	3/8 inch, PE Plastic Tubing
• Electrical	115 V - 60 Hz Ph.
• Power Consumption	330 W - 3.2 A
• Working Room Temperature	Min 41°F - Max 107°F
• Filter Capacity	5000 Gallons or 6 Months

The winning alternative to bottled water for the hospitality industry

Certified and awarded Italian quality

Ice Bank Technology

Ice bank is the highest performing professional cooling technology, an absolute necessity in a hospitality situation where large quantities of cold water are required. This is achieved through immersion of the serpentine water coils and refrigerant gas in an ice bank.



DIMENSIONS	Unit
Height	22.4 in.
Width	14.2 in.
Depth	22.6 in.
Weight	77 lbs.